



# HOSHIZAKI

## CERTIFICATION



HACCP International



ISO9001

## FM-120KS-50-HCN NUGGET ICE MAKER



## Key Features

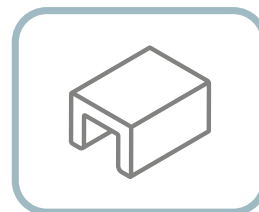


NATURAL  
REFRIGERANTS

**Eco-Friendly  
Refrigerant**



**Easy for maintenance**  
Notify when parts should  
be replaced



**Stainless Steel  
Exterior**

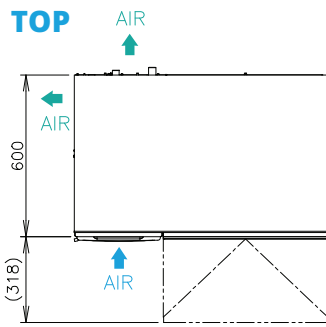


**Stainless Steel &  
Greaseless Auger**

Our Flake & Nugget Ice Makers belong to the true allrounders of the Hoshizaki product line-up. These powerful, durable and sustainable machines are highly popular across different market segments, such as in food preparation / processing, as well as in hotels, bars, restaurants and catering businesses.



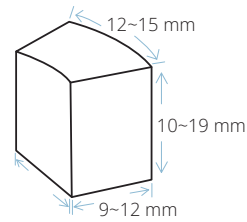
# Dimensions & Specifications



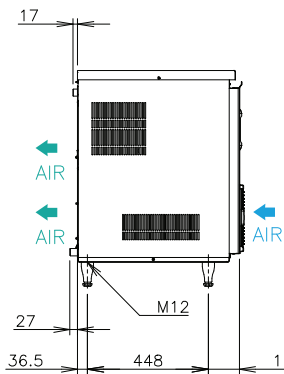
## ICE SHAPE

### NUGGET

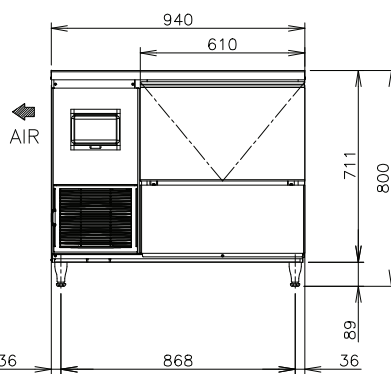
Compressed Flake Ice



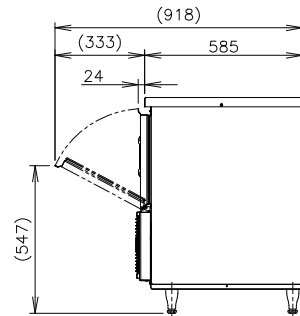
## LEFT SIDE



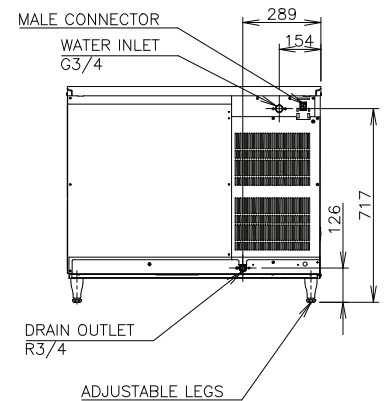
## FRONT



## RIGHT SIDE



## BACK



MODEL		FM-120KS-50-HCN
ICE SHAPE		Nugget Ice
POWER SUPPLY		1 Phase 220-240V 50Hz Capacity: 0.53kVA (2.2A)
AMPERAGE		2.2A Started: 8.8A
ELECTRIC CONSUMPTION		353W
HEAT REJECTION	(AT32°C / WT21°C)	820W
ICE PRODUCTION PER 24H	(AT10°C / WT10°C)	118kg
	(AT21°C / WT15°C)	104kg
	(AT32°C / WT21°C)	86kg
STORAGE CAPACITY		Approx. 57kg
WATER CONSUMPTION PER 24H	(AT32°C / WT21°C)	95L
REFRIGERANT		R290 / 85g
OUTSIDE DIMENSIONS		940mm(W) x 600mm(D) x 800( - 833)mm(H)
PACKAGE		Carton 1046mm(W) x 706mm(D) x 887mm(H)
WEIGHT		72kg (Gross 88kg)
OPERATING CONDITIONS		Ambient Temp:5-40°C, Water Supply Temp:5-35°C, Water Supply Pressure: 0.05-0.78MPa, Voltage Range: Rated Voltage±6%



# HOSHIZAKI

## HOSHIZAKI (THAILAND) LIMITED

No. 99 CP Tower North Park building 9th Floor, Zone D1 Soi  
Ngamwongwan 47 Intersection 42, Thung Song Hong  
Subdistrict, Lak Si District, Bangkok 10210 Thailand  
TEL +66 2 005 9980 FAX +66 2 516 2646  
<https://hoshizaki-sea.com/>

